

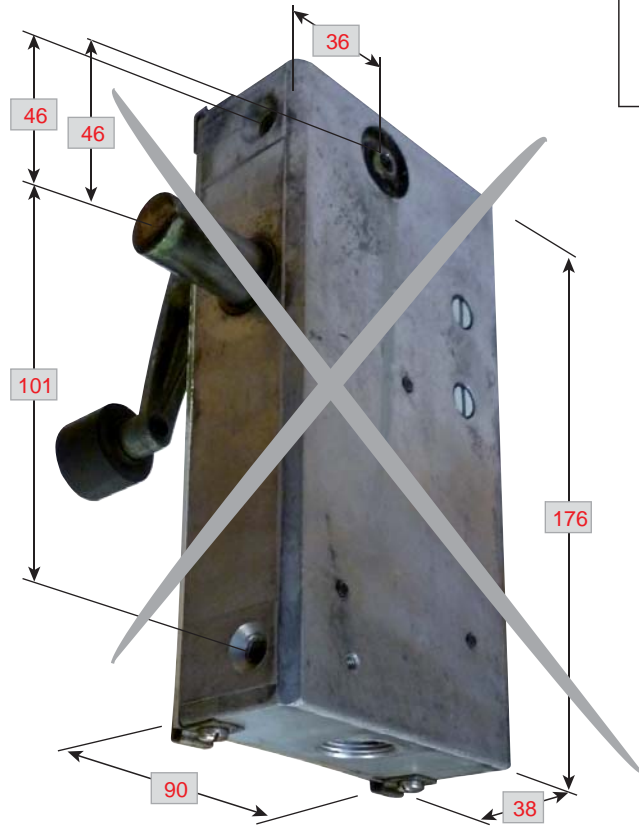
SPX4 for Schindler SE6

(Cable-exit to the bottom)

SPX4-S S6_B

To replace :

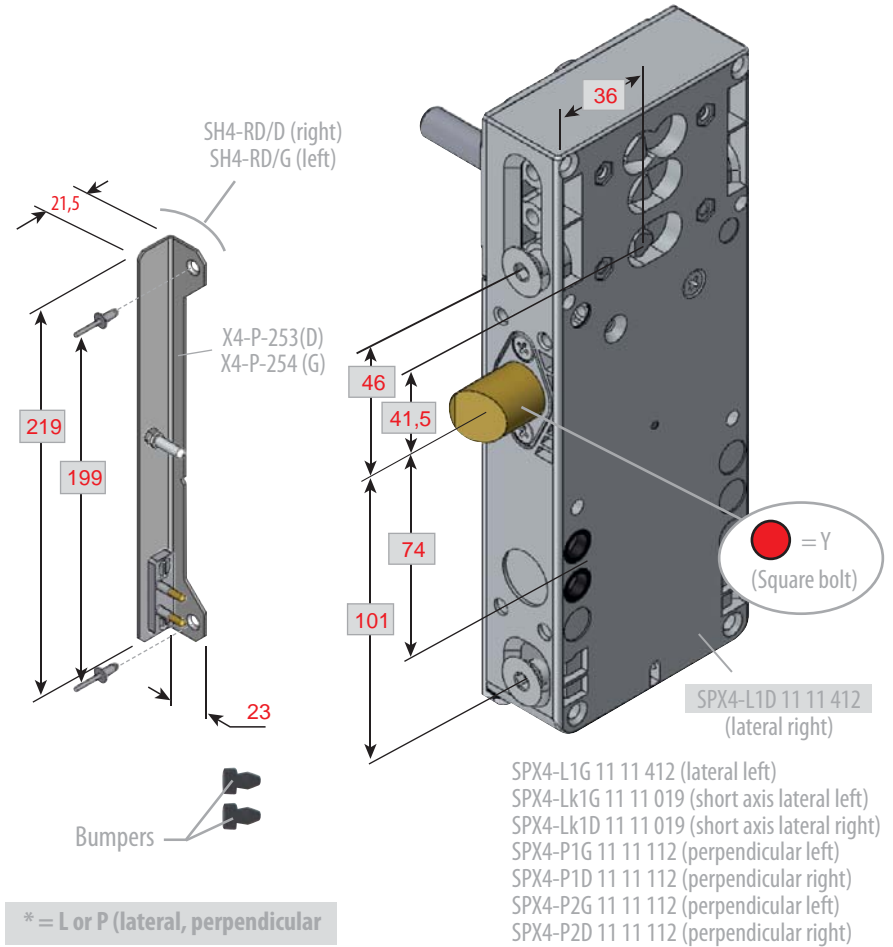
SE6-lock (Schindler) with cable-exit to bottom.



Substitution :

SPX4-S S6_B/*G (prudhomme S.a.)
 SPX4-S S6_B/*D

Option :
 CP/SPX4-SS6 (Drilling-gauge)



SPX4-S S6_B

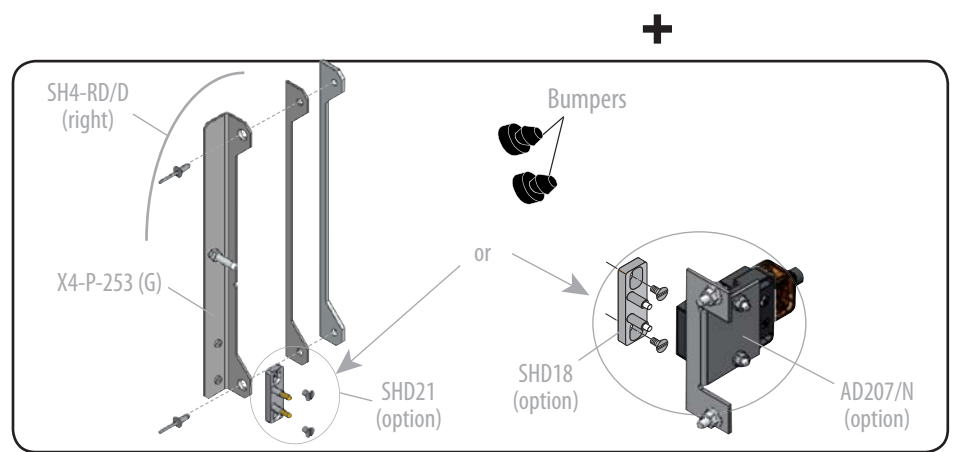
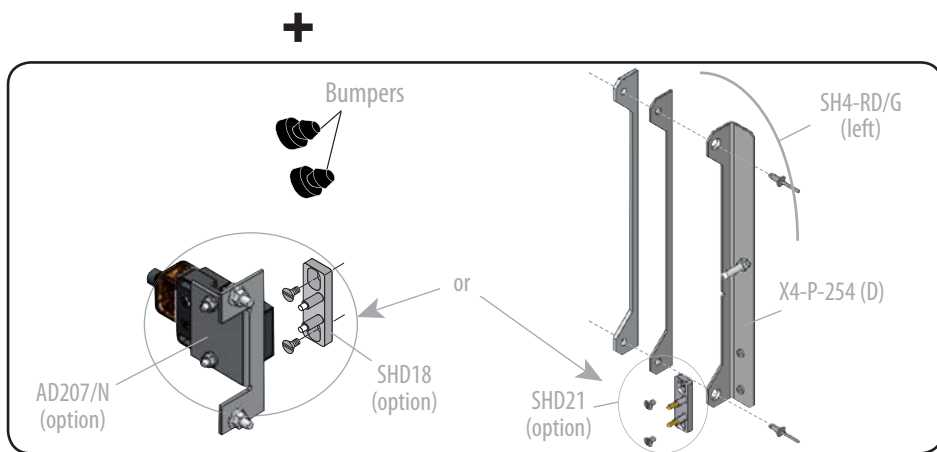
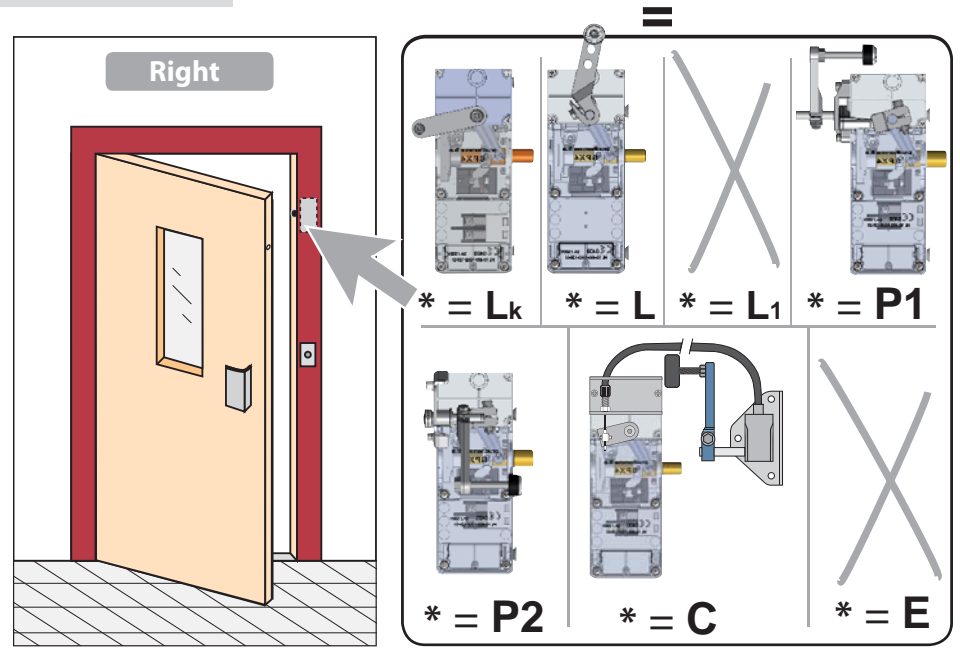
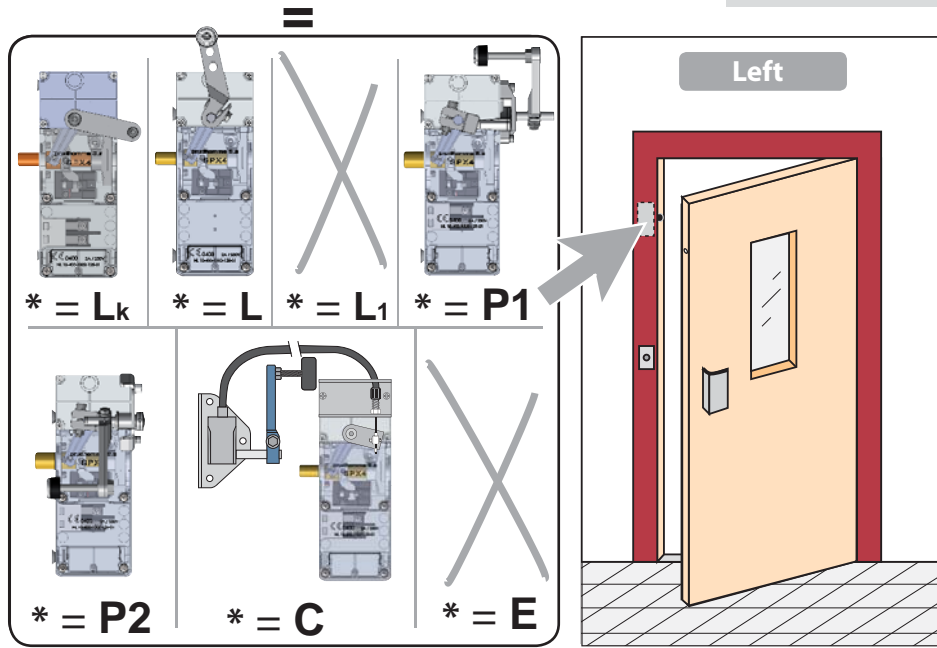
SPX4 for Schindler SE6

(Cable-exit to the bottom)

ref. : SPX4-S S6_B/*G

ref. : SPX4-S S6_B/*D

* = Lk, L, P or C (lateral, perpendicular or by cable)

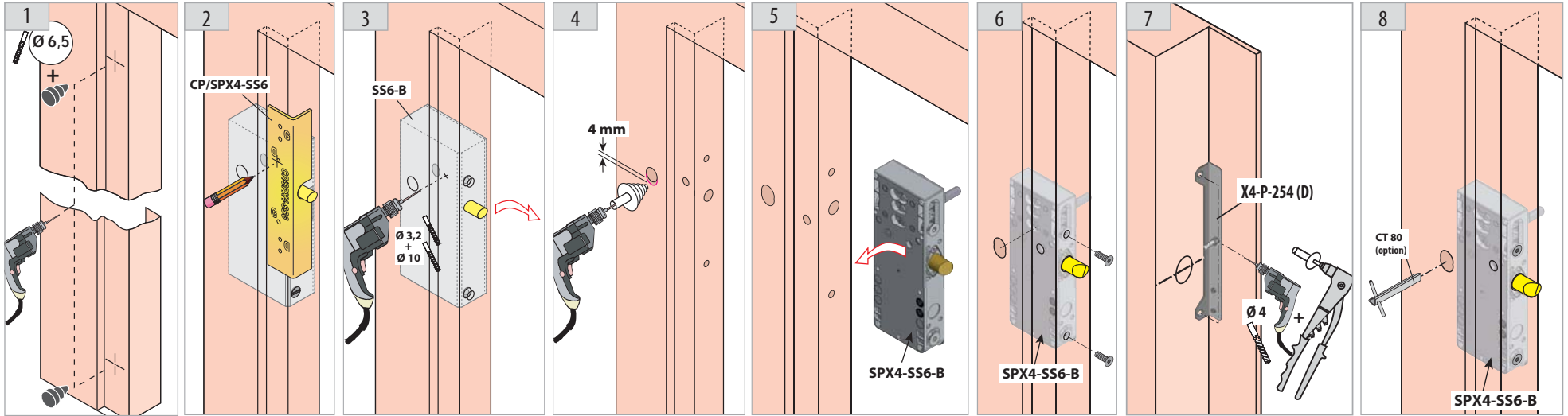
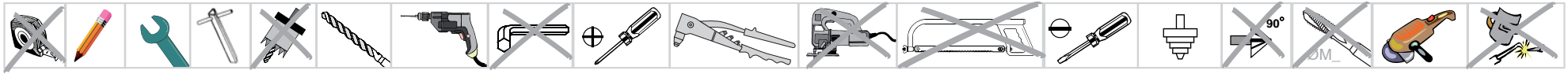


SPX4 for Schindler SE6

SPX4-S S6_B

(Cable-exit to the bottom)

Mounting stages



Option : intagrated door-contact

Option: seperated door-contact

Information

